

Fleet Shower Room

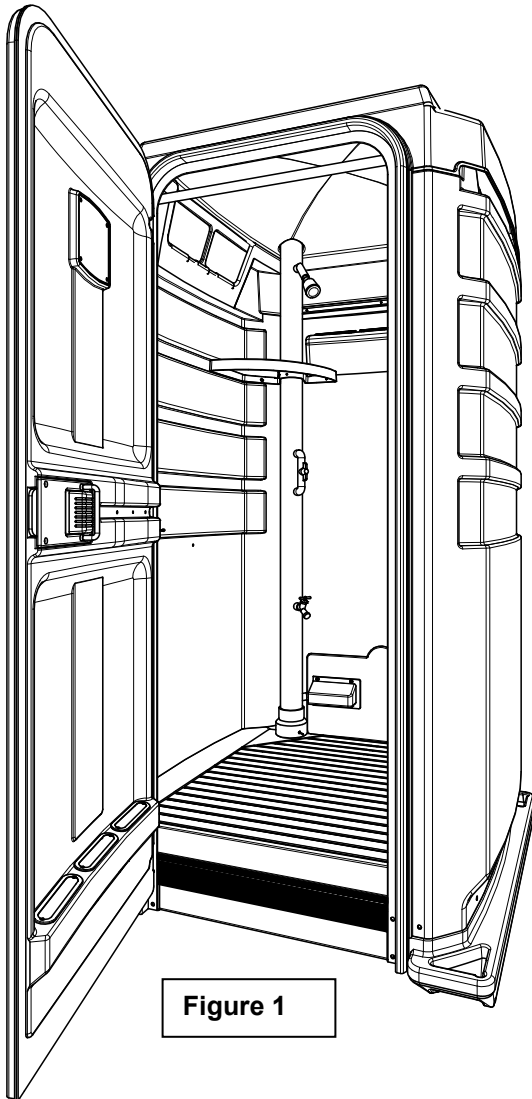


Figure 1

Exterior Height	91.0 in	231.0 cm
Interior Height	83.0 in	211.0 cm
Exterior Width	47.0 in	119.0 cm
Interior Width	43.0 in	109.0 cm
Exterior Length	47.0 in	119.0 cm
Interior Length	45.5 in	116.0 cm
Door Frame Width	26.0 in	66.0 cm
Door Frame Height	75.0 in	191.0 cm
Weight	171 lbs.	77.0 kg

Contact

Contact All Safety Products, P.O. Box 3822, Lakewood, CA 90711-3811
Tel. 877-209-3108 (USA) Toll-Free or Direct Line to Customer Service, 562-630-3700
Website: www.allsafetyproducts.com

For assistance with any questions, please contact us above or
E-mail us: customerservice@allsafetyproducts.com

NOTE: All Safety Products reserves the right to make changes without prior notice

Fleet Shower Model

GENERAL PRODUCT OVERVIEW

The ***Fleet Shower Room*** provides a private, personal hygienic bathing facility for a variety of rental applications. These include:

- RECREATION:** campgrounds, parks, residential & municipal swimming pools, marinas, sporting events and ocean or lake front hotels
- CONSTRUCTION:** work crew clean up from dusty environments such as building demolition, ground grading and land preparation, sanitary landfills, roofing and flushing of hazardous materials
- AGRICULTURE:** removal of crop duster chemicals and provides personal hygiene at migrant farm worker camps
- MUNICIPAL:** fire departments to remove carbon dust and cool down of fire fighting personnel
- NATURAL DISASTERS:** clean and cool-down of crews fighting forest fires. Provides personal hygiene when permanent facilities are destroyed due to disasters such as earthquakes, tornadoes, typhoon's, hurricanes, fires and flooding

Installation requires a pressurised, fresh water source and connection to a sewage disposal system such as municipal wastewater, septic and holding tanks.

The fresh water system uses a standard garden hose type connection. The showerhead dispenses 2 ½ gallons (9.5 litres) of water per minute. The shower is activated by a ball valve. There is a combination faucet and hose bib that can be used for cleaning the shower room and as a source of water for other purposes.

The grey wastewater plumbing components are 2" schedule 40 PVC fittings including a trap to prevent odours from seeping into the shower room from the sewage connection, which is at the rear of the shower room. The 2" PVC fittings are connected with 2" Fernco® flexible rubber couplings and clamps which allow for easy maintenance should the plumbing system become clogged or require repair.



Fleet Shower Room Assembly Instructions

PLEASE READ THESE INSTRUCTIONS

GENERAL NOTES

- The *Fleet Shower Model* is supplied either assembled or unassembled. Please retain these assembly instructions for future use in the event replacement parts are required.
- All references to left, right, front and rear throughout the entire assembly instructions are shown in figure 2 exploded parts drawing and as viewed when looking at the front of the shower room from the outside.
- The *Fleet Shower Model* assembly will require two persons.
- Please follow the instructions in the sequence they are presented. It is suggested that you read through the entire assembly instructions prior to proceeding.
- We strongly suggest that these shower rooms, as with all portable structures, be transported and handled with care. Dropping the shower room when loading and unloading off of transport vehicles could cause damage to the structure.
- The door lock described in STEP 15, page 15 of 17, is an option. For restrooms supplied without the lock disregard this section.

TOOLS REQUIRED

Rivet Gun	Vise-Grips	8" C-Clamp
Drill	3/64" Drill Bit	3/8" Drill Bit
Straight Blade Screwdriver	Phillips Cross-head Screwdriver	Spanner Driver Bit
7/16" Socket Wrench	1/2" Socket Wrench	Pliers
Adjustable wrench	1 1/8" Hole saw	2 Tapered Awls
Staple gun	Staples	Rubber Mallet
Caulking gun	Caulk	
Teflon pipe tape	Masking Tape	
Step Ladder	Saw Horse	

Fleet Shower Room Exploded Parts Drawing

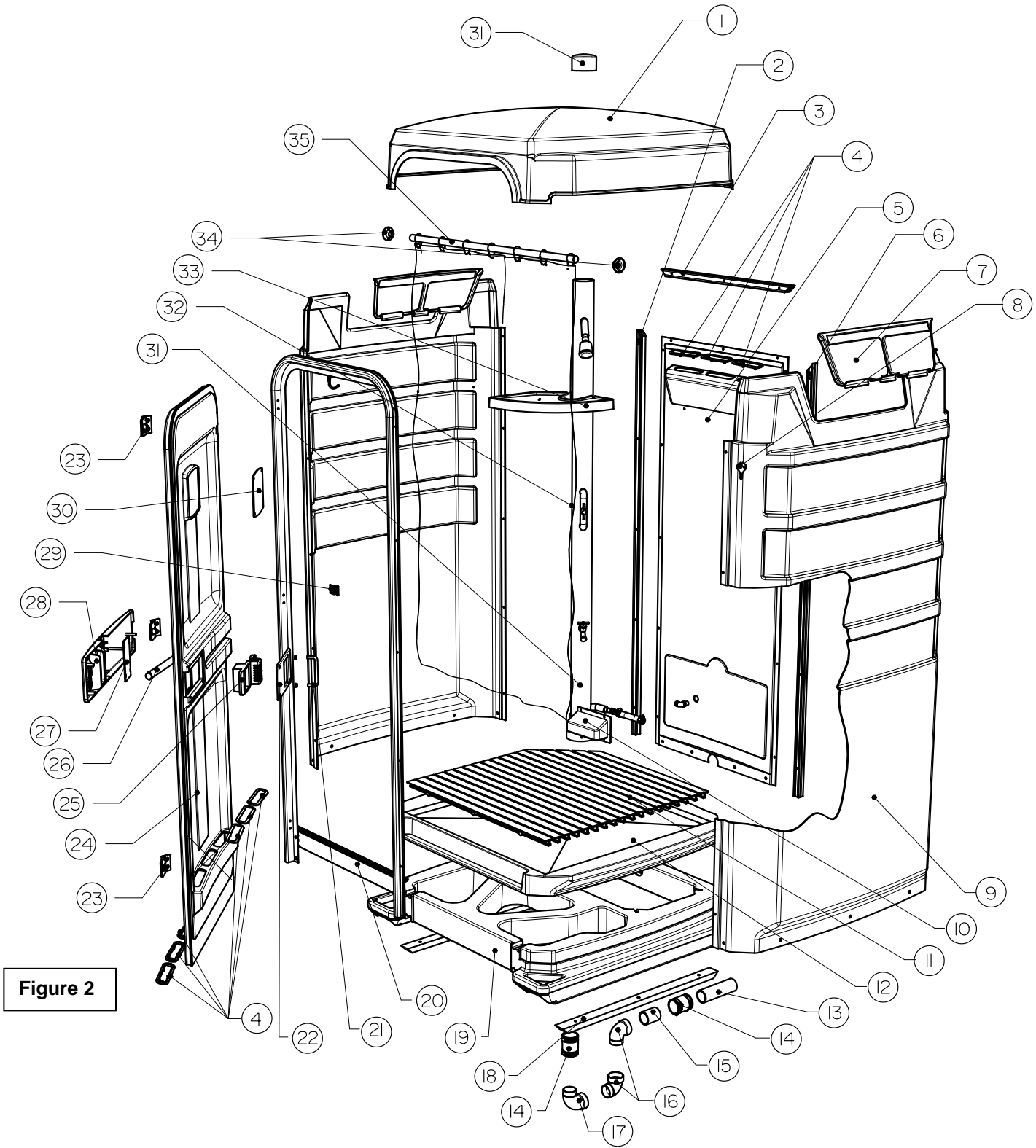


Figure 2

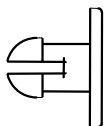
NOTE: ITEM NUMBERS LISTED IN THE BILL-OF-MATERIALS WITH AN ALPHABETICAL SUFFIX ARE NOT SHOWN, HOWEVER, THEY ARE USED WITH THE NUMBER BEFORE IT.

Fleet Shower Model - BILL OF MATERIALS

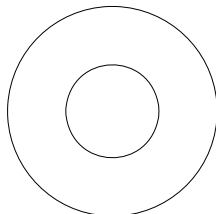
ITEM	PART #	DESCRIPTION	REQ.
1	FS1-0007	Roof	1
1a	PC-000101	Rivet, large flange, long	4
1b	PC-000121	Washer, fender 1/4 x 1 1/4 SS	4
1c	PC-000106	Washer, back-up 3/16	4
2	FS1-0062	Extrusion, rear, left, plastic, grey	1
2a	PC-000114	Rivet, star, small flange, short	5
3	FS1-0061	Extrusion, rear, top, plastic, grey	1
3a	PC-000114	Rivet, star, small flange, short	3
4	SG1-0037/38	Screen, Fly, small, inner/outer	3
4a	PC-000102	Rivet, small flange, short	6
4b	PC-000106	Washer, back-up, 3/16	6
5	FS1-0004E	Panel, rear	1
5a	PC-000192	SEMS, lag screw w/washer	4
6	FS1-0063	Extrusion, rear, right, plastic, grey	1
6a	PC-000114	Rivet, star, small flange, short	5
7	SG1-0035	Screen, Fly, large	2
8	PC-100538	Hook, clothes	2
8a	PC-000102	Rivet, small flange, short	4
8b	PC-000106	Washer, 3/16 back-up	4
9	FS1-0002E	Panel, side	2
9a	PC-000192	SEMS, lag screw w/washer	10
10	SH1-0009	Cover, fresh water plumbing	1
10a	PC-000102	Rivet, small flange, short	4
10b	PC-000106	Washer, back-up, 3/16	4
10c	PC-100539	Water Hose Connector	1
10d	PC-000102	Rivets, small flange, short	2
10e	PC-000106	Washer, back-up, 3/16	2
10f	PC-100540	Filter, cone, garden hose	1
10g	PC-000324	Elbow, 1/2" MPT x 3/4" hose barb	1
10h	PC-000352	Clamp, #12	1
10i	CH075-0035	Hose, 3/4" ID x 3 1/2" long	1
10j	PC-000352	Clamp, #12	1
10k	PC-000323	Fitting, straight, 1/2" MPT x 3/4"	1
11	SH1-0002	Grating, shower floor	1
11a	SH1-0010	Clip, hold down CP-083-1843	4
11b	PC-000158	Screw, #10 x 1 1/2" self tap, oval head	4
12	SH1-0001	Drain pan, shower	1
12a	PC-000167	Stud, 5/16-18 x 2"	4
12b	PC-000126	Washer, 7/16" flat	4
12c	PC-000161	Washer, 5/16" flat	4
12d	PC-000173	Nut, 5/16-18 Nylon, lock	4
12e	PC-100530	Grid, strainer Cast#33-7019	1
12f	SH1-0004	Seal, EPDM drain pan x 127.8" lg.	1
13	PC-100536	Pipe, 2" PVC sched. 40 x 10" long	1
14	PC-100531	Coupler, Fernco® 2" w/ clamps	2
15	PC-100535	Pipe, 2" PVC sched. 40 x 3" long	1
16	PC-100533	Elbow, 1/4 bend, 90° vent street	2
17	PC-100532	Elbow, 1/4 bend, 90° street	1

ITEM	PART #	DESCRIPTION	REQ.
18	SG1-0086	Runner, sacrificial	2
18a	PC-000123	Washer, flat 1/4 x 5/8	4
18b	PC-000174	Bolt, 1/4-20 x 1 1/4 hex head	4
19	SG1-0020G	Base, grey	1
20	SG1-0060	Doorjamb	1
20a	PC-000104	Rivet, small flange, long	12
20b	PC-000159	Screw, cross-head 1/4-20 x 3	4
20c	PC-000140	Nut, lock, 1/4-20	4
20d	SG1-0050	Plate, backer	2
21	SA1-0017	Handle, U-bolt w/screws	1
21a	PC-000796	Bumper, rubber	2
21b	PC-100795	Decal, lock/unlock	1
22	SG1-0031	Plate, slide latch cover	1
23	PC-100170	Hinge	3
23a	PC-000160	Bolt, 5/16-18 x 3/4 hex head	3
23b	PC-000161	Washer, 5/16 x 3/4 flat	3
23c	PC-000169	Washer, lock, 5/16	3
24	FS1-0005E	Door, panel	1
24a	PC-000223	Handle, convenience	1
24b	PC-000104	Rivet, small flange, long	2
24c	PC-000106	Washer, back-up, 3/16	2
25	SG1-0030	Slide latch	1
25a	PC-100780	Decal, occupancy	1
26	SG1-0083A	Closure, door spring assembly	1
27	SG1-0032	Plate, unisex indicator	1
27a	SG1-0033	Plate, male/female indicator	1
28	SG1-0034	Panel, door trim	1
28a	PC-000162	Screw, #10 x 1 3/4 spanner	2
28b	PC-000163	Screw, #10 x 3/4 spanner	4
29	PC-000181	Clip, cable	1
29a	PC-000104	Rivet, small flange, short	2
30	TM01-0003	Mirror	1
30a	PC-000367	Rivet, push, Nylon	4
31	SH1-0003	Shower, assembly	1
31a	PC-000114	Rivet, star, small flange, short	2
32	SH1-0005	Curtain, shower	1
32a	SH1-0006	Hook, shower curtain (12/pack)	1
33	SG1-0015L	Shelf,	1
33a	PC-000102	Rivet, small flange, short	3
33b	PC-000106	Washer, 3/16 back-up	3
33c	PC-000105	Rivet, star, small flange	1
33d	SU01-0002	Hook	1
33f	PC-000100	Rivet, large flange, short	2
34	PC-100541	Flange, shower curtain rod	2
34a	PC-000102	Rivet, small flange, short	4
34b	PC-000106	Washer, 3/16, back-up	4
35	SH1-0007	Tube 1.0" OD X 39.75" long	1

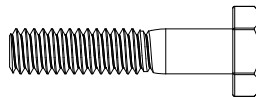
SMALL COMPONENT PARTS USED IN SHOWER ROOM ASSEMBLY



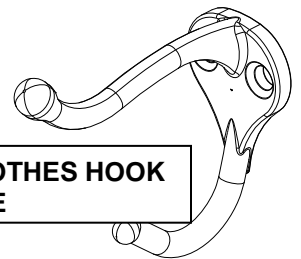
**PC-000367 RIVET
PUSH TYPE
FULL SCALE**



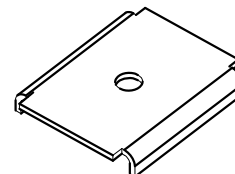
**PC-000126 WASHER
7/16" FLAT
FULL SCALE**



**PC-000174 BOLT
1/4-20 x 1 1/4 HEX HEAD
FULL SCALE**



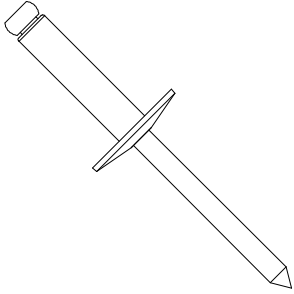
**PC-000538 CLOTHES HOOK
NOT TO SCALE**



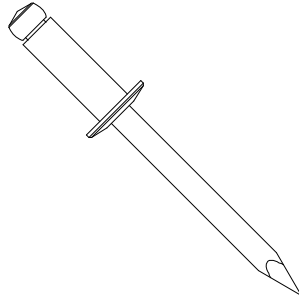
**SH1-0010 CLIP
NOT TO SCALE**

FULL SIZE SCALE OF FASTENERS USED FOR THE FLEET SHOWER ASSEMBLY

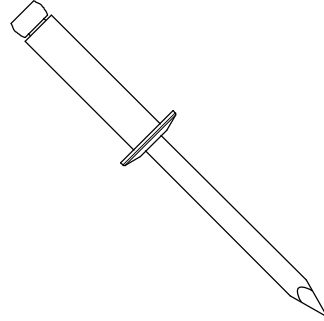
April 1999
Page 6 of 17



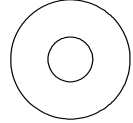
PC-000101
Large Flange
Long Rivet



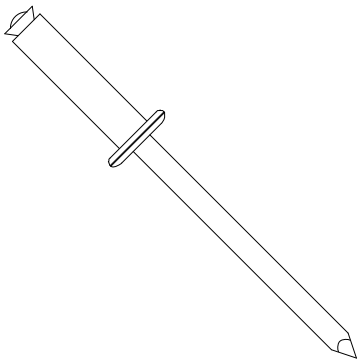
PC-000102
Small Flange
Short Rivet



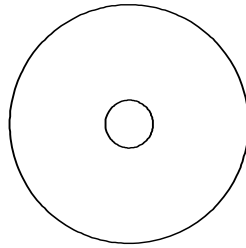
PC-000104
Small Flange
Long Rivet



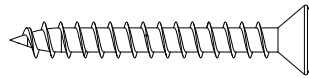
PC-000106
3/16" Back-Up
Washer



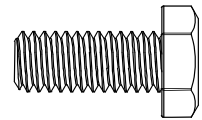
PC-000114
Short Starr Rivet



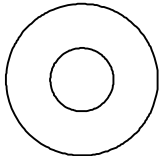
PC-000121
1/4" x 1-1/4"
Fender Washer



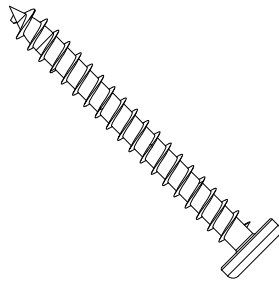
PC-000158
#10 x 1-1/2"
Oval Head
Self Tapping
Phillips Head Screw



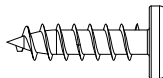
PC-000160
5/16"-18 x 3/4"
Hex Head Bolt



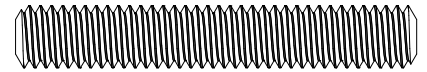
PC-000161
5/16" Flat
Washer



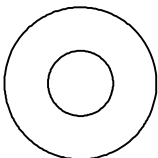
PC-000162
#10 x 1-3/4"
Self Tapping
Spanner Screw



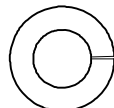
PC-000163
#10 x 3/4"
Self Tapping
Spanner Screw



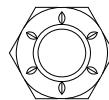
PC-000167
5/16"-18 x 2"
Threaded Stud



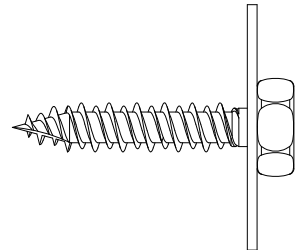
PC-000168
5/16" x 7/8"
Flat Washer



PC-000169
5/16" Lock Washer



PC-000173
5/16"-18
NyLock Nut



PC-000192
1/4" x 1-1/4"
Self Tapping
Sems Assembly

Fleet Shower Room Assembly Instructions

The base, sacrificial runners, drain pan, floor-grating and related parts are shipped from the factory as a sub-assembly. The following instructions are to be used for reference purposes should any of these components need to be replaced.

STEP 1. BASE AND DRAIN PAN ASSEMBLY:

Refer to figure 3. Thread four 5/16"-18x2", PC-000167, stainless steel studs into the threaded inserts on the underside of the drain pan. ***CAUTION: screw the studs in by hand. Do not over-tighten, which could rupture the drain pan or strip the threads in the insert.***

Be sure to have a clean work surface that will not scratch the top surface of the drain pan. Turn the drain pan upside down with the studs pointing up. Turn the base upside down and place the open rectangular area of the base with four slots in it onto the four studs in the drain pan. Shift the base around until the studs on the bottom of the drain pan go into the slots provided in the base. Align the studs and slots so that they are centred. Install a 7/16 flat washer PC-000126, a 5/16" flat washer PC-000168 and then thread a 5/16" nylon lock nut PC-000173 on the end of each stud. Stand the base and drain pan upright. Add the small round flat shower drain strainer to the hole in the top centre of the drain pan by slightly bending the tabs outwards and then insert it into the hole.

Figure 3

STEP 2. DRAIN PAN AND FLOOR GRATING ASSEMBLY:

Refer to figure 4. The floor grating is fastened to the drain pan with four, hold-down clips SH1-0010 and four #10 x 1 1/2" oval head, self-tapping screws PC-000158. The clips slide between the vertical legs of the "T" extrusions as shown and the screws are driven in with a drill and crosshead drill bit.

Figure 4

Fleet Shower Model Assembly Instructions

- STEP 3. 2" PVC PLUMBING DRAINAGE SYSTEM TO UNDERSIDE OF DRAIN PAN.** Refer to figure 5. The plumbing system consists of:
- two - 2" flexible rubber couplings with clamps;
 - a solvent cemented assembly consisting of two 90° vent street elbows, one 90° street elbow;
 - one 2" x 3" pipe nipple;
 - one 2" x 10" pipe nipple.
- Turn the base; drain pan and floor grating sub-assembly upside down so that the assembly is resting on the floor grating. There is an integrally moulded in 2" port at the centre of the bottom side of the drain pan. Clamp a 2"

Figure 5

flexible rubber coupling to this port. Then insert the spigot end of the street elbow and trap assembly into the other end of the 2" flexible rubber coupling and clamp in place. Next, clamp another 2" flexible coupling onto the nipple end of the trap assembly. Then, push the 2" x 10" piece of pipe through the hole at the rear of the base and then clamp it to the 2" flexible coupling.

STEP 4. DOORJAMB TO BASE:

Refer to figure 6. Locate the front jamb and door assembly. Remove the door from the jamb by removing the 5/16" bolts in each of the three hinges. Place a sawhorse behind the base. Place the jamb on the base with the threshold on the recess of the drain pan as shown in figure 5. Make sure the doorjamb is centred between the two runners of the base and insert the 1/4"-20 x 3" long Phillips (crosshead) pan head screws through each of the four holes in the jamb and the grooves of the base. *Note: You may need to use a "C" clamp to pull the jamb down onto the base to insert the bottom screws on each side.*

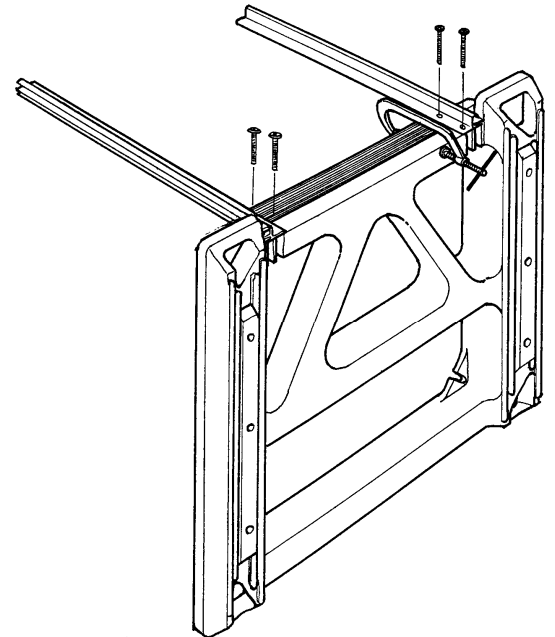


Figure 6

Fleet Shower Model Assembly Instructions

STEP 4. DOORJAMB TO BASE (cont.):

Place an aluminium backing plate on the underside of the base inserting the screws through the holes of the plate. Install a 1/4"-20 nylon lock nut on each of the screws and tighten. Carefully position the base and front assembly in the upright position.

STEP 5. FLEXIBLE EPDM WATER SEAL EXTRUSION TO DRAIN PAN:

Refer to figure 7. The water seal extrusion is 127.8" long and is stapled to the top perimeter of the drain pan and prevents water from seeping down between the wall panels and drain pan. The inside edge of the extrusion has a continuous self-adhesive strip that is used to temporarily hold the extrusion against the outside edges of the drain pan. The water seal goes from one side of the doorjamb, around the outer edges of the drain pan and to the other side of the doorjamb. Starting at one side of the jamb, position the water seal tight against the jamb and drain pan and hold in place with a 3/8" staple. Slightly stretch the seal around the corner of the drain pan and put another staple approximately 4" from the first staple. Continue to slightly stretch and staple the seal approximately every 4" around the peripheral edge of the drain pan up to the other side of the doorjamb. Slightly stretching the water seal while stapling it to the drain pan will help prevent any wrinkles in the seal.

Figure 7

NOTE: due to the expansion and contraction of plastic parts when exposed to outdoor temperatures it may be necessary to add caulking between the EPDM flexible water seal extrusion and the outer walls especially at the two rear corners to prevent leaks. We suggest using a clear 100% silicone sealant for outdoor use such as a Dow Corning "DAP®" or an equivalent brand. This can be done after the cabana has been installed around the base and drain pan sub-assembly by prying back the top edge of the extrusion and squeezing a generous amount of caulking down between the wall panels and extrusion.

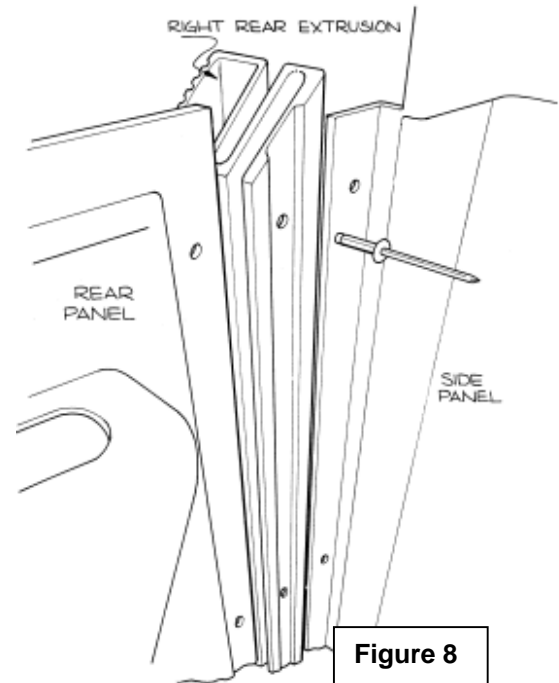
NOTE: THE SHOWER TOWER ASSEMBLY WILL BE INSTALLED AFTER THE WALLS AND ROOF OF THE CABANA HAS BEEN ASSEMBLED TO THE BASE ASSEMBLY.

Fleet Shower Model Assembly Instructions

BUILDING THE CABANA

STEP 6. SIDEWALL PANELS TO REAR EXTRUSIONS AND REAR WALL PANEL:

The rear left and right extrusions have a mitre cut on one end. The top extrusion has mitre cuts on both ends. These extrusions form a frame around the rear panel and connect to the side wall panels. **NOTE: the top extrusion is not used until the roof is installed.** Slide a plastic rear extrusion onto each edge of the rear panel making sure that the mitre ends are towards the top of the rear panel where the fly screens are and the angles of the mitre cuts are towards the rear panel. See figure 8. **NOTE: the serrated surfaces of the rear extrusions go on the outside of the restroom.** Line up the holes in the rear extrusions with the holes in the rear wall panels. Put awls into the centre holes. Be sure to put the rear panels into the correct slots of the extrusions.



STEP 7. WALL PANELS AND REAR EXTRUSIONS SUB-ASSEMBLY:

Remove an awl from one edge of the rear wall and rear extrusion and then slide a side, wall panel into the corresponding slot. Line up all of the holes and rivet from the inside, the rear extrusions, rear wall panel and side wall panel together using small flange, star rivets, PC-000114. Remove the awl on the other edge and rivet together.

STEP 8. WALL PANELS AND REAR EXTRUSIONS SUB-ASSEMBLY TO DOORJAMB:

Take the wall panel, sub-assembly and position it around the base. Make sure the walls are on the ledge of the base. Insert a side, wall panel into the slot in the doorjamb. Line up the holes in the doorjamb with the holes in the side, wall panel and rivet in place using PC-000104 rivets from the inside. **Note: There is a set of two holes near the middle hinge that are for the cable clip. Do not rivet these at this point.** Attach the opposite side, wall panel.

Fleet Shower Model Assembly Instructions

STEP 9. WALL PANELS TO BASE SUB-ASSEMBLY:

See figure 9. Using PC-000192, SEMS 1/4 x 1 1/4 self-threading, lag screws with washers assemble the walls to the base in the sequence shown in figure 9. ***CAUTION: Do not over-tighten the lag screws.***

STEP 10. TOP REAR EXTRUSION INSTALLATION:

Put the top rear extrusion, with the mitre edges facing down (so that they match the other two extrusions) on the top edge of the rear wall panel and press into place.

STEP 11. LARGE FLY SCREEN AND ROOF, INSTALLATION:

Examine the large fly screens. On the lower edges are curved tabs that fit the rolled lip of the side wall panels. From the inside of the restroom, position the tabs of the fly screen on the curved lip of a side wall panel by tilting it out and then guiding it back and around the lip as shown in figure 10. There will be three long tabs of the fly screen on the inside, top surface of the side wall panel. ***HINT: hold the screens in place with two small strips of masking tape.*** Install the other fly screen.

Position the roof over the unit pushing it all the way down into the slots of the rear top extrusion and doorjamb. Make sure the mitre cuts are square to each other. Have another person hold the roof firmly down over the top rear extrusion. Line up the holes in the top rear extrusion and rear wall panel inside the restroom. Use these holes and drill only through the roof using a 13/64" drill bit. ***CAUTION: Do not drill all the way through the top rear extrusion.*** Rivet in place using PC-000114 star rivets. Pull the edge of the roof down into the slot in the doorjamb making sure the roof is positioned evenly around the jamb. Have another person hold the roof firmly down over the doorjamb. From the inside, using the predrilled holes in the doorjamb as a guide and a 13/64" drill bit, drill through the three holes and only through the roof wall. ***CAUTION: Do not drill all the way through the aluminium doorjamb.*** Rivet in place using PC-000104 rivets.

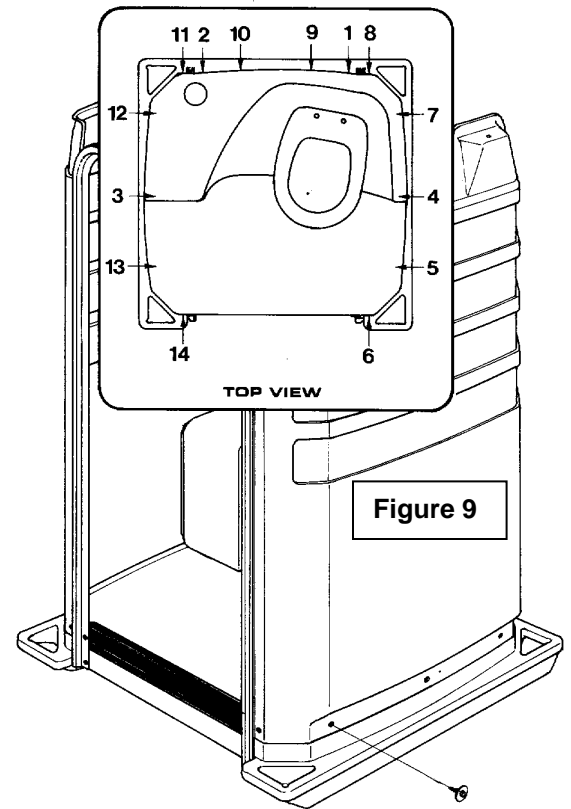


Figure 9

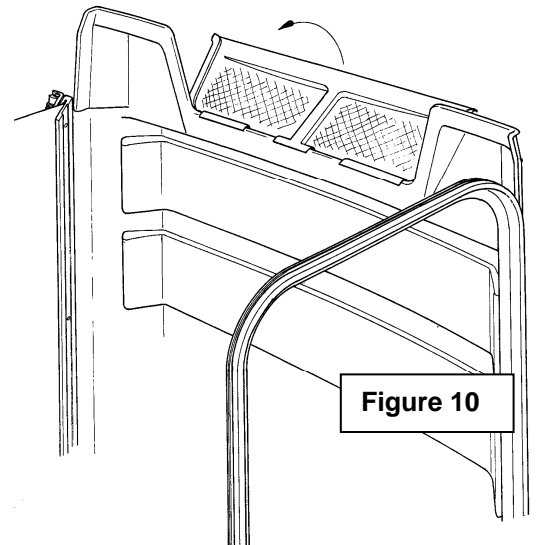


Figure 10

Fleet Shower Model Assembly Instructions

STEP 12. SHOWER TOWER ASSEMBLY TO DRAIN PAN:

Refer to figure 11. Remove the cap on the shower head end of the long shower tower tube and slip the end of the tube through the opening in the roof. Place the bottom end of the long tube over the moulded-in "boss" on the drain pan. Rotate the shower tube so that the spray pattern from the showerhead is directed away from the door opening.

Drill a 13/64" diameter hole through the bottom of the shower tube and into the "boss" and rivet in place using a PC-000114 star rivet. Replace the 3" cap above the roof on top of the long tube, drill a 13/64" hole and rivet in place with a PC-000114 star rivet.

STEP 13. FRESH WATER INLET PLUMBING:

Refer to figure 12. Apply Teflon tape to the PC-000323 straight fitting and thread it into the 1/2" FPT nipple on the shower tower assembly.

CAUTION: *be sure to tape only the threads. Do not allow any tape to get into the plumbing system.* To determine the location of the PC-100539 fresh water hose connector, which is installed on the rear panel, temporarily assemble the hose and elbow and position them on the straight fitting. Hold the hose and elbow level and make a mark on the inside rear panel wall with a pencil at about the centre of the pipe thread end of the elbow where it touches the rear panel.

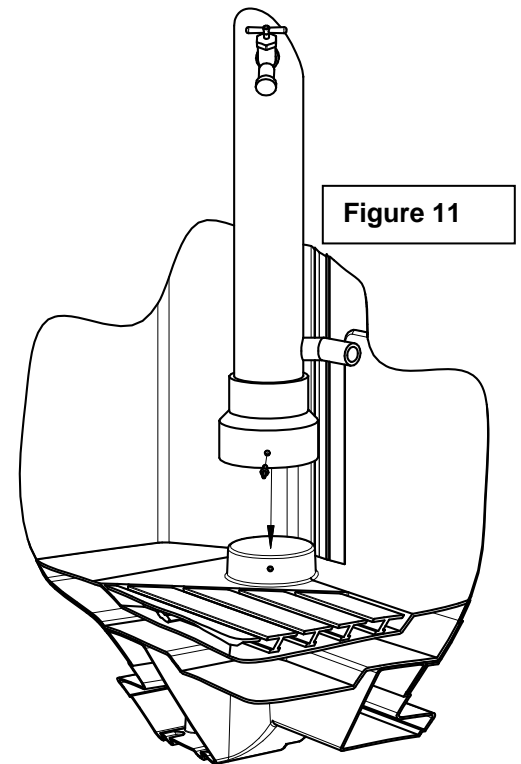


Figure 11

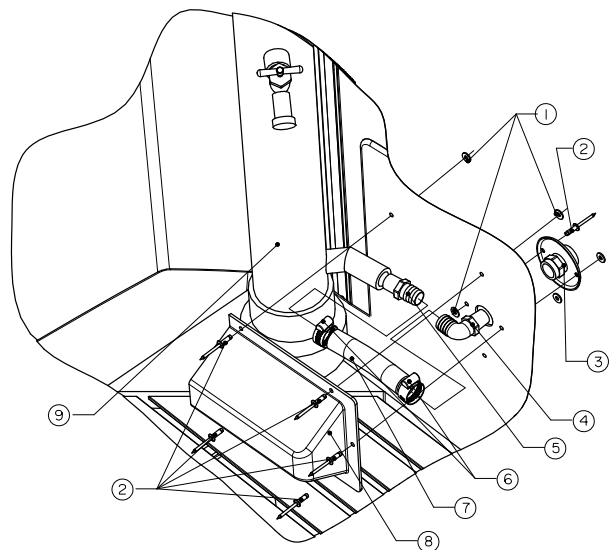


Figure 12

ITEM #	PART #	DESCRIPTION	REQ.
1	PC-000102	Rivet, small flange, short	4
2	PC-100539	Connector, water hose	1
2a	PC-000102	Rivet, small flange, short	2
2b	PC-000106	Washer, back-up, 3/16"	2
3	PC-000324	Elbow, 1/2" MPT x 3/4" hose barb	1
4	PC-000323	Fitting, straight, 1/2" MPT x 3/4" hose barb	1
5	PC-000352	Clamp, #12	2
6	SH1-0008	Hose, 3/4" ID x 3 1/2" long	1
7	PC-00106	Washer, back-up, 3/16"	4
8	SH1-0009	Cover, fresh water plumbing	1
9	SH1-0003	Shower assembly	1

Fleet Shower Model Assembly Instructions

STEP 13. FRESH WATER INLET PLUMBING (cont.).

Drill a 1 1/8" diameter hole. Using the fresh water hose connector as a drill guide, position it in the hole on the outside of the rear panel and drill two 13/64" holes. It's best to drill the holes on a horizontal plane for a good visual appearance. Rivet the hole closest to the shower tower from the outside using a PC-000102 rivet PC-000106 back-up washer the other hole is riveted when the plastic housing is installed. Apply Teflon tape to the threaded end of the elbow and thread it to the 1/2" FPT on the fresh water hose connector. Next slide two #12 clamps on to the 3/4"ID x 3 1/2" long hose and force both hose ends over the hose barbs of the straight and elbow fittings and tighten the clamps.

Position the plastic cover over the fresh water plumbing components. Hold the cover level and drill four 13/64" holes, one in each of the corners of the flange of the housing as shown in figure 12. Rivet from the inside using PC-000102 rivets and PC-000106 washers on the outside. Drill a 13/64" hole using the fresh water hose connector as a guide through the right side flange of the plastic cover and rivet from the inside using a PC-000102 rivet and PC-000106 back-up washer.

STEP 14. CLOTHES HOOKS, SHOWER CURTAIN AND HANGING ROD:

There are two clothes hooks located on the inside left and right diagonal corners. A hook is shown on the left side in figure 13. There is a rib towards the top on the diagonal corner. Using the hook as a drill guide, hold it up against this rib, towards the door and drill two 13/64" diameter holes. Fasten in place from the outside with two PC-000102 rivets and PC-000106 back-up washers on the inside. Install the other hook on the inside right corner.

The shower curtain rod is a three-piece assembly consisting of two flanges and one 1" diameter x 39 3/4" long tube. Position the flanges on the long tube. Use the flanges as a drill guide and drill two 13/64" diameter holes. Make these holes on a vertical plane, top to bottom, for more strength. Rivet in place from the inside using PC-000102 rivets and PC-000106 back-up washers on the outside. Make sure the long tube is level. Drill and rivet the other flange in place. Add the shower curtain hooks to the shower curtain; slip them over the curtain rod and snap in place.

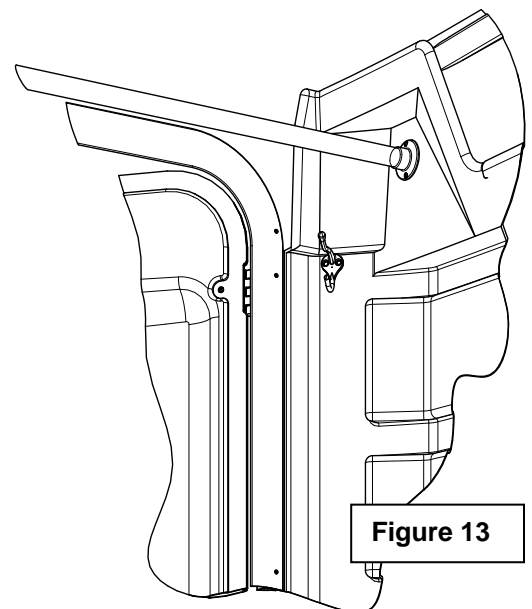


Figure 13

Fleet Shower Model Assembly Instructions

STEP 15. SHELF FOR TOILETRIES:

Refer to figure 14. The shelf is positioned around the shower tower and on the second rib from the top of the side panel. Slip the shelf over and around the shower tower so that it rests on the rib of the side panel. On the underside of the shelf, drill a $13/64$ " diameter hole through the shelf and side panel, 2" from the left inside edge and $1/2$ " up. Rivet from the outside using a PC-000102 rivet and PC-000106 back-up washer. Make sure the shelf is level and drill another hole on the right, underside of the shelf $1\ 1/2$ " from the right inside edge and $1/2$ " up. Rivet in place. Drill another hole 3" over and $1/2$ " up from this hole and rivet in place. Drill another hole on the underside of the shelf one-half way across the diagonal corner and rivet in place. Hold the inside lip of the shelf against the left side of the shower tower, drill a $13/64$ " diameter hole and rivet in place with a PC-000114 star rivet. Use the wash cloth hook as a drill guide and drill two $13/64$ " holes at about the centre of the large flat area on the shelf. Rivet in place from the topside of the shelf with two PC-000100 rivets.

Figure 14

STEP 16. DOOR CLOSURE, CABLE CLIP:

Using the two remaining holes near the middle hinge on the doorjamb as drill guides, drill through the side wall lip (that is in the groove of the doorjamb) with a $13/64$ " drill bit making sure not to drill all the way through the doorjamb. Rivet the door cable clip to the doorjamb using two PC-000104 rivets as shown in figure 15.

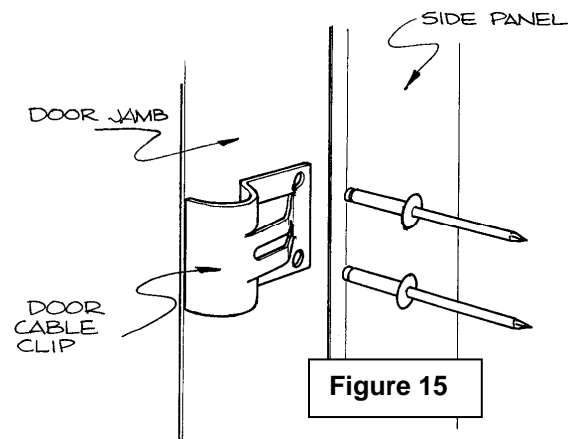


Figure 15

Fleet Shower Model Assembly Instructions

STEP 17. DOOR TRIM PANEL, SPRING CLOSURE AND SLIDE LATCH ASSEMBLY:

See figure 16. Reinstall the door on the doorjamb by reversing step 4. On the outside of the door push the cable end of the spring tube assembly through the hole in the door below the middle hinge. **Note:** *Fit the flange of the spring tube assembly into the hole in the door.*

Rivet the light grey convenience handle to the inside door surface with two PC-000104 Rivets and PC-000106 back-up washers. Rivet from the inside.

NOTE: The lock is an option. If the restroom is supplied without a Lock then disregard this section.

Figure 16

Install the lock in the door trim panel. The lock has to be in the locked position. Turn the key all the way to the right. **NOTE:** *Check the lock for proper installation. The blade of the lock is in the open position when turned all the way to the left and in the neutral position when pointing up.* This is important. During normal use, turn the lock to the neutral position and remove the key. This will allow the slide latch to move into the "open" and "in-use" positions when persons are using the shower room. When it is necessary, such as to stop other persons from using the shower room, turn the key to the right, locked position and remove the key.

See figure 16. The unisex indicator plate is 3" x 6" with four notches on it. This snaps onto the backside of the door trim panel. The side with the decal on it faces towards the outside of the shower room. Be sure the decal is the right side up. Position the door trim panel on the centre of the door. From the inside of the door, push two 3/4" self-tapping, spanner screws, PC-000163, (a special spanner driver bit is included with these instructions) in the two holes located in the centre of the door towards the hinge side. Thread the screws into the two posts on the inside surface of the door trim panel. Tighten the screws being careful not to over-tighten.

Fleet Shower Model Assembly Instructions

STEP 17. DOOR TRIM PANEL, SPRING CLOSURE AND SLIDE LATCH ASSEMBLY (cont.):

Apply the "In-use/Open" decal to the slide latch. There is a punched 1/4" diameter hole in the decal. Align this to the corresponding hole in the slide latch. This hole is to comply with certain codes that requires portable restrooms to be unlocked from the outside in the event that a person, such as a child or someone in distress, is not able to unlock the door from the inside. It's also used as a convenient way to lock the door during transport.

Insert the slide latch into the square cut hole of the door with the in-use and open decal towards the outside surface of the door. Turn the key to the neutral position & remove the key. Place the latch cover plate over the slide latch and line up the holes of the cover with the holes in the door. **NOTE: The U-shaped, black handle on the latch cover plate is used to prevent persons from inadvertently moving the slide latch to the In-use position when leaving the shower room.** Insert 1 3/4" self-tapping spanner screws, PC-000162, in each of the four holes and tighten using the spanner screwdriver bit, PT1-0004, provided with this instruction kit. **Note: the screws should be tightened to the point where they interfere with the sliding action of the latch and then backed off slightly.** The slide latch should be able to move to the in-use and open positions easily but with enough friction to prevent the slide latch from sliding into the in-use position when the self-closing door shuts.

STEP 18. DOOR SPRING CLOSURE CABLE AND CLIP OPERATION:

Connect the cable to the clip by gripping the ball end of the cable with pliers and pulling the cable out approximately 5". Hold the cable in place by clamping the cable with a sheet metal vise-grip as close to the door as possible. Enter the unit and close the door. With a pair of pliers, grip the ball end of the cable slightly behind the ball and insert the ball into the cable clip slot. Release the vise-grips.

Assembly of the Fleet shower room is complete.

Fleet Shower Model
USE, SERVICE AND MAINTENANCE SUGGESTIONS

WE STRONGLY SUGGEST MEMBERSHIP IN THE PORTABLE SANITATION ASSOCIATION INTERNATIONAL (PSAI) WHICH IS THE RECOGNIZED WORLDWIDE AUTHORITY ON PORTABLE SANITATION SERVICES:

**PORTABLE SANITATION ASSOCIATION INTERNATIONAL
7800 METRO PARKWAY, SUITE 104
BLOOMINGTON, MINNESOTA 55425 USA
800-822-3020 / 612-854-8300 (FACSIMILE 612-854-7560)**

THE PSAI, "PORTABLE SANITATION INDUSTRY CERTIFICATION PROGRAM" MANUAL CONTAINS A WEALTH OF INFORMATION OF STANDARDS AND SERVICE PROCEDURES.

- **USE A MILD SOAP DETERGENT TO CLEAN ALL SURFACES AND COMPONENT PARTS.**
- **USE A DEODORANT SPRAY ON THE INSIDE SURFACES TO KEEP THE INSIDE SMELLING FRESH AND CLEAN.**
- **MINOR SCRATCHES AND ABRASIONS MAYBE LIGHTLY SANDED OR SCRUBBED WITH A MILD ABRASIVE CLEANER (such as "Soft N' Scrub"®) THAT CONTAINS CALCIUM CARBONATE, HYPOCHLORATE BLEACH AND DETERGENTS. *BE SURE TO FOLLOW THE CLEANING PRODUCT DIRECTIONS SINCE THESE INGREDIENTS MAY CAUSE HAZARDOUS GASSES WHEN MIXED WITH OTHER CHEMICALS.* RINSE THE CLEANED AREAS AND BUFF WITH A CONVENTIONAL WAX.**
- **SOME MINOR SCRATCHES MAY BE REMOVED WITH A HOT AIR GUN SUCH AS A CONVENTIONAL HAIR DRYER OR AN INDUSTRIAL HOT AIR GUN.**
- **WHEN THE SHOWER ROOM IS NOT IN USE, ADD A SMALL AMOUNT OF BLEACH AND A CUP OF WATER OR A CHLORINE SANITIZER TABLET WITH WATER TO KEEP THE PLUMBING SYSTEM SMELLING FRESH AND CLEAN FOR THE NEXT USE. BE SURE TO FLUSH THE BLEACH FROM THE PLUMBING SYSTEM BEFORE PERSONS USE THE SHOWER ROOM.**

FOR A SOURCE OF CLEANING AND DEODORIZING PRODUCTS, PLEASE BE SURE TO VISIT US AT WWW.ALLSAFETYPRODUCTS.COM OR CALL US AT OUR TOLL FREE PHONE NUMBER, 1-877-208-3109.